

Versa Trak



Functional Specifications

RF air protocol	EPC Class 1 Gen 2; ISO18000-6C
Operating frequency	UHF 902-928 MHz (US); 866-868 MHz (EU)
IC type	Alien Higgs-3
Memory configuration	96-EPC bits; 512-bit user memory
Functionality	Read / write (user programmed); full duplex protocol
Memory – expected read / write cycles	100,000 cycles at 77°F (25°C)
Data retention	10 years
Read rate	400 tags per second for 96-EPC bit number

Performance Characteristics

Read range on-metal, 4W EIRP (2W ERP)*	Up to 26 ft (8 m)
Read range off-metal, 4W EIRP (2W ERP)*	Up to 13 ft (4 m)
Polarization	Linear

*Actual read range may vary based upon specific application case and antenna power

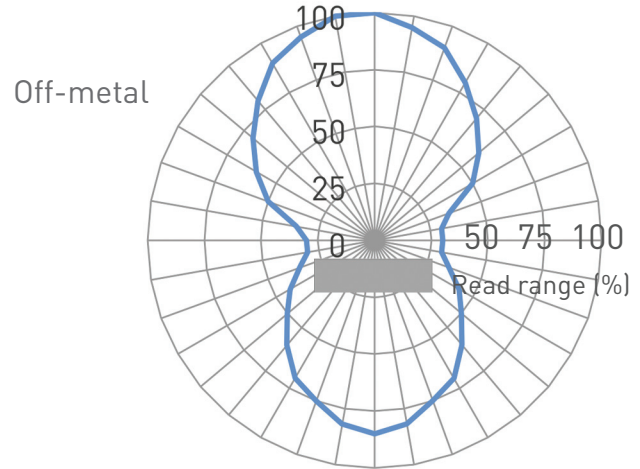
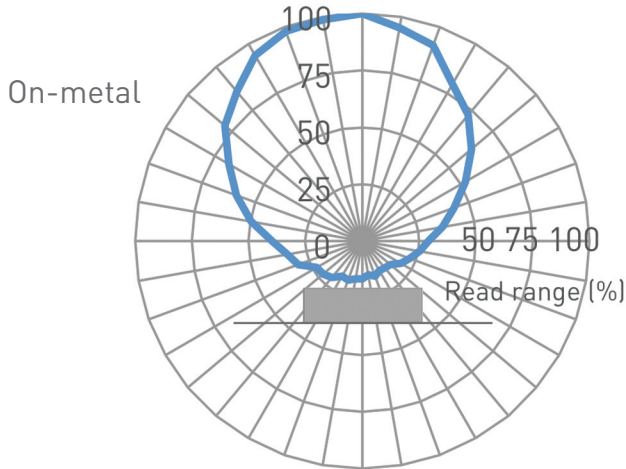
Physical Specifications

Material	ABS plastic
Mounting system	High performance adhesive
Color	Standard color gray, other colors available
Optional faceplate marking (large volume orders)	Faceplate can be laser etched with 1-D barcode, 2-D barcode, human readable text and company logo

Environmental and Industry Compliance

Compliance	RoHS (EU version), CE (EU version)
------------	------------------------------------

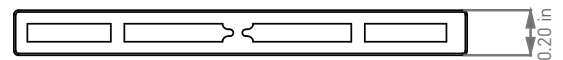
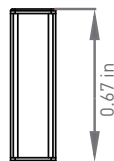
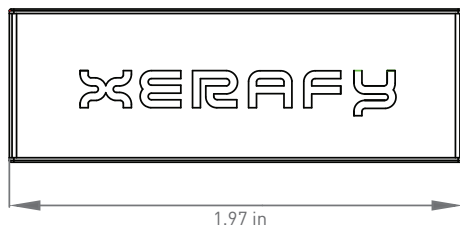
Radiation Pattern



Operational and Environmental Specifications

Operational temperature	
Cold	-22°F (-30°C)
Dry heat	+185°F (+85°C)
Thermal shock	-22°F to 185°F (-30°C to +85°C); cycled
Application temperature	
Cold	-40°F (-40°C)
Dry heat	+185°F (+85°C)
Humidity	
Operational humidity	5%-95% non-condensing
Storage humidity	5%-95% non-condensing
Shock (drop)	3 ft (1 m) to concrete/granite up to 200 cycles
Compression strength	26.1 psi (180 kPa)
IP classification	IP54

Product Dimensions and Weight



Dimensions	1.97 x 0.67 x 0.20 in (50 x 17 x 5 mm)
Weight	0.11 oz (3 g)